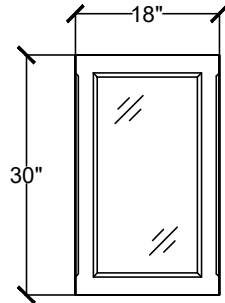
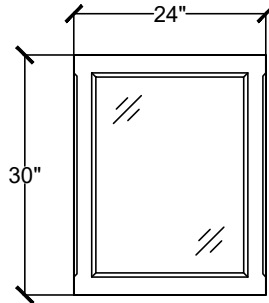


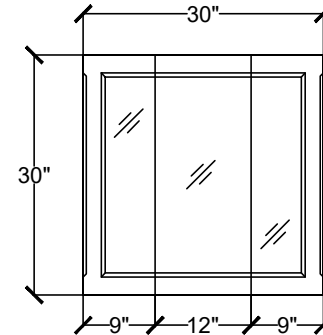
MEDICINE CABINETS



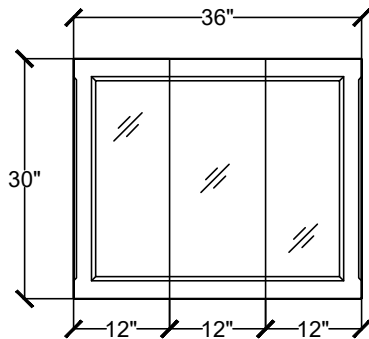
WINMC 1830-\_\_\_\_-\_\_\_\_



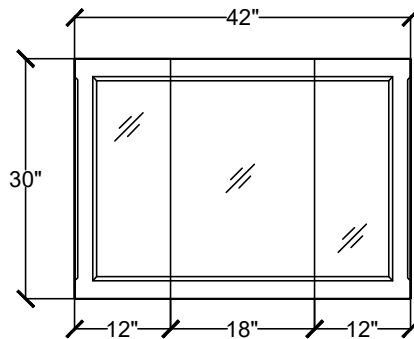
WINMC 2430-\_\_\_\_-\_\_\_\_



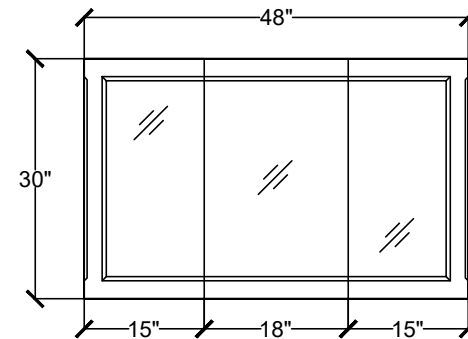
WINMC 3030-\_\_\_\_-\_\_\_\_



WINMC 3630-\_\_\_\_-\_\_\_\_



WINMC 4230-\_\_\_\_-\_\_\_\_



WINMC 4830-\_\_\_\_-\_\_\_\_